

1

2

3

4

5

6

7

8

9

ZONE

REV.

DESCRIPTION

DATE

APPROVED

A

B

C

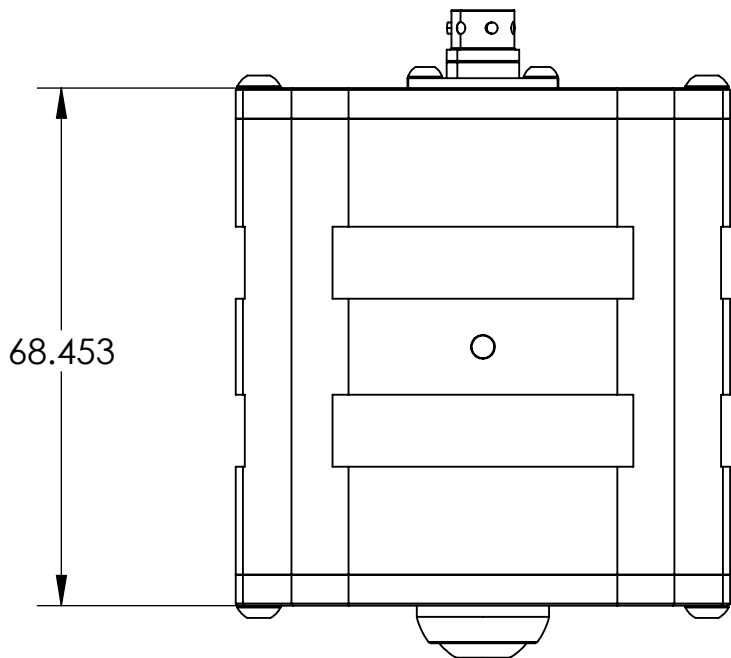
D

E

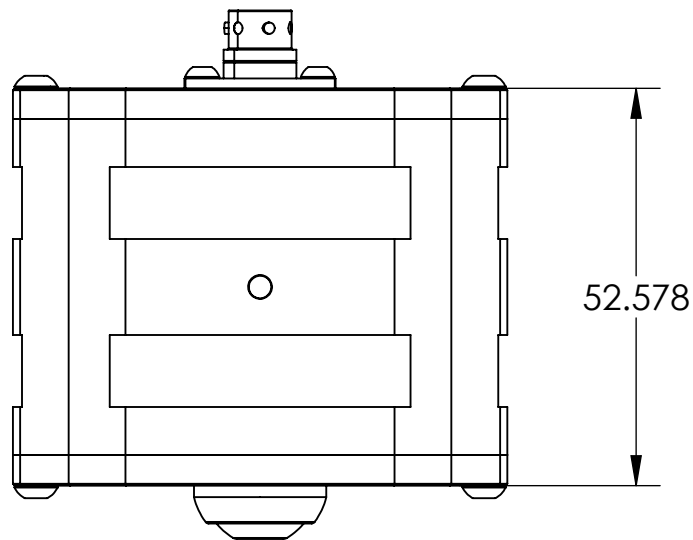
F

G

CBT-Mini-3



CBT-Mini



**PROPRIETARY AND CONFIDENTIAL**

THE INFORMATION CONTAINED IN THIS DRAWING IS THE SOLE PROPERTY OF MICHIGAN SCIENTIFIC CORPORATION. ANY REPRODUCTION IN PART OR AS A WHOLE WITHOUT THE WRITTEN PERMISSION OF MICHIGAN SCIENTIFIC CORPORATION IS PROHIBITED.

DIMENSIONS ARE IN MILLIMETERS

TOLERANCES:

.XXXX <MOD-PM>.0010

.XXX <MOD-PM>.005

.XX <MOD-PM>.01

FRACTIONAL<MOD-PM>

ANGULAR: MACH<MOD-PM>

BEND <MOD-PM>

MATERIAL

---

FINISH

---

DO NOT SCALE DRAWING

	DATE	NAME
DRAWN	4/14/22	EEAJ
CHECKED	---	---
ENG APPR.	---	---
MFG APPR.	****	*****
Q.A.	****	*****

COMMENTS: ---



**MICHIGAN SCIENTIFIC**

321 EAST HURON  
MILFORD, MICHIGAN 48381  
PHONE: (248)685-3939 FAX: (248)684-5406

corporation

DRAWING DESCRIPTION: CBT-mini vs CBT-mini-3 size comparison

PROJECT DESCRIPTION:

TITLE: CBT-mini Size Comparison

SIZE DWG. NO.

**A**

REV.

SCALE: 1:2

WEIGHT:

SHEET 1 OF 1